

**PORTABLE UNIVERSAL
CORE DRILLING MACHINES****General description**

These machines consist essentially in three main parts:

- The motor (electric, petrol driven or air driven)
- The base with adjustable feet and wheels
- The support column.

These three parts can be easily assembled and disassembled for transportation. The support steel column can be angled with respect to the base. The motor support is mounted on rollers and ball bearings. The aluminium base can be easily fitted on site by anchors, by suitable holding column or by vacuum using the appropriate accessory. Both the electric and petrol driven models can be used at any angle within the horizontal position using an appropriate fixing making sure that flushing water does not drop directly onto the motor and there is no petrol leakage. For vertical ceiling coring it is preferable to use the air motor model. For internal use we suggest the machine is fitted with a water collector system. (See accessories)

The machines have to be completed with the coring bits. See table on next page.

Electric models**83-C0350**

Universal core drilling machine.
Electric motor. Three speeds.
230 V, 50-60 Hz, 1 ph.

83-C0351

Universal core drilling machine.
Electric motor. Three speeds.
110 V, 60 Hz, 1 ph.

Petrol driven model**83-C0355**

Universal core drilling machine.
Petrol driven

Air motor model**83-C0360**

Universal core drilling machine.
Air motor

Technical specifications	83-C0350 83-C0351 Electric	83-C0355 Petrol	83-C0360 Air
Power (W)	2200 ⁽¹⁾	4800	3300
Speeds, full loading (r.p.m.)	670/1140/1580 ⁽²⁾	530 to 660	300 to 460
Min/max. core dia. (mm)	35/150	35/150	70/200
Air consumption (l/s)	-	-	50
Overall dimensions (mm)	451x290x860	451x290x1067	527x330x1352
Weight approx. (kg)	36	40	70

(1) 1800 W at 110 V, 60 Hz

(2) Full load speeds at 230 V, 50 Hz: 800/1350/1900 and 670/1140/1580 at 110 V, 60 Hz



83-C0350 (or 83-C0351) with core bit



83-C0355 with core bit

Accessories

▣ **83-C0350/1** Kit attachment for vacuum connection. Fits the opening in the middle of basement. Comprising the connection plate with gasket, the vacuum gauge and the base gasket. Vacuum pump not included. This kit fits all models

▣ **83-D2020** Portable water pressure tank 10-15 litres cap. Useful when tap water is not available

▣ **83-C0350/5** Water collecting ring for 83-C0350, 83-C0351 models. For bits up to 150 mm dia. Confines waste water on the surface. It has to be connected to a suitable electric pump

▣ **83-C0300/1**
Extension rod 228 mm long

▣ **83-C0300/2** Strap wrench for fitting and removal of core bits

▣ **83-C0300/3** Expansion bolts for fixing coring machine base. Pack of 50

▣ **83-C0350/2** Tie-rod for fastening coring machines

Vacuum pump with reservoir

To provide the vacuum for holding securely the base (fitted with the accessories 83-C0350/1) to the surface. Supplied complete with reservoir, which is very useful to maintain for some time a suitable vacuum level to avoid the fall or disconnection of the machine from the wall in case of current interruption. Weight 11.5 kg approx.

■ **83-C0365**

Vacuum pump with reservoir.
230 V, 50-60 Hz, 1 ph.

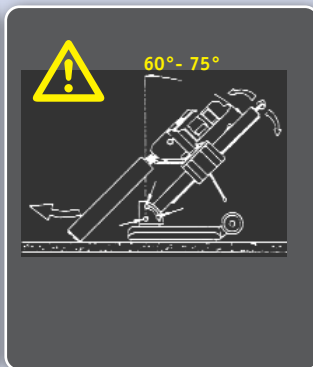
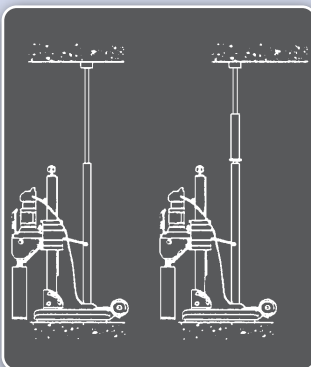
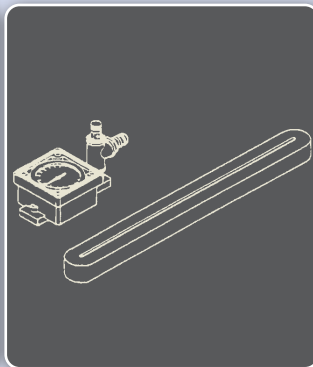
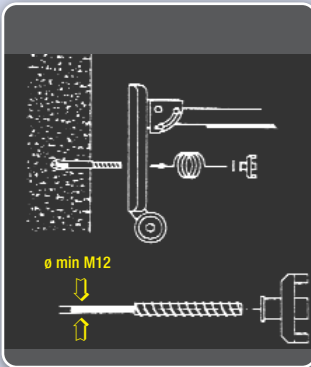
■ **83-C0366**

Vacuum pump with reservoir.
110 V, 60 Hz, 1 ph.

83-C0350 (or 83-C0351) with 83-C0350/1, 83-C0365 (or 83-C0366), with core bit and expander coupling



Fixing methods



83-C0350 with vacuum attachment and vacuum pump during operation

83-C0360 with core bit

